

-ORDERING INFORMATION-

GUARD ASSEMBLIES (GUARD SHELL AND HANDWHEEL) (BULK PACKED)

PART NO.	"A" DIM	NOTES	STD BOX COUNT
70380311	1.47"	FITS ABB, POWER PARTNERS,ERMCO,COOPER BUSHINGS	100
70380312	1.60"	FITS GE/PROLEC BUSHINGS	100
70380308	1.91"	FITS CENTRAL MOLONEY, HOWARD, KUHLMAN BUSHINGS	100
70380326	1.41"-1.91"	FITS ALL COMMON BUSHINGS (LOOSE FIT)	100

GUARD SHELL ONLY

PART NO.	"A" DIM	NOTES	STD BOX COUNT
70380309	1.47"	FITS ABB, POWER PARTNERS,ERMCO,COOPER BUSHINGS	100
70380310	1.60"	FITS GE/PROLEC BUSHINGS	100
70380307	1.91"	FITS CENTRAL MOLONEY, HOWARD, KUHLMAN BUSHINGS	100
70380325	1.41"-1.91"	FITS ALL COMMON BUSHINGS (LOOSE FIT)	100

HANDWHEEL ONLY

PART NO.	NOTES	STD BOX COUNT
70380450		100

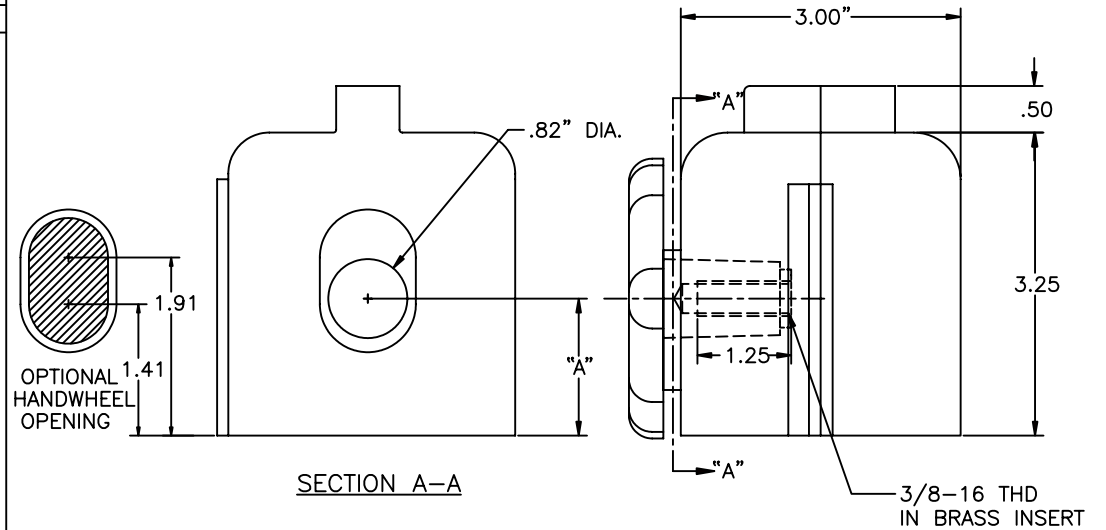
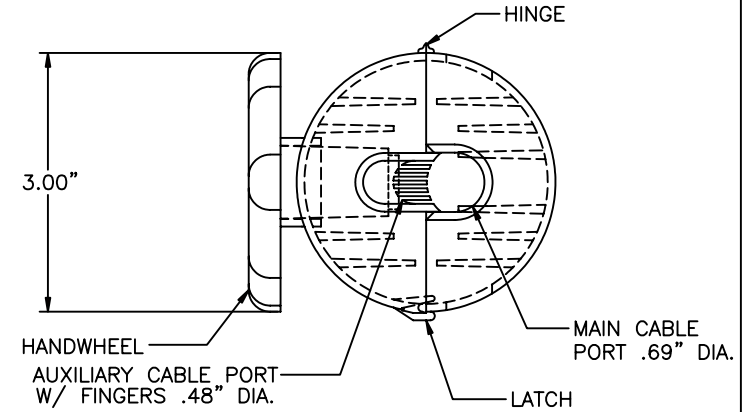
FEATURES

A HINGED WILDLIFE GUARD FOR USE WITH HANDWHEEL TIGHTENED BUSHING TERMINALS. THIS TYPE OF GUARD IS TYPICALLY FURNISHED BY THE OEM ON NEW TRANSFORMERS. OPTIONAL HANDWHEEL HOLE HEIGHTS ALLOW THE GAURD TO BE OPTIMIZED FOR MINIMUM CLEARANCE BETWEEN THE BOTTOM OF THE GUARD AND THE TOP OF THE PORCELAIN SKIRT. FOR EASE OF LEAD INSTALLATION, THE GUARD IS LEFT OPEN TO INSURE CORRECT CABLE TIGHTENING IN THE EYEBOLT TERMINAL. UPON COMPLETION, THE GUARD IS SNAPPED CLOSED. FOR UNIVERSAL RETROFIT APPLICATIONS, A SLOTTED HOLE IS AVAILABLE. A MESHED AUXILIARY CABLE PORT IS STANDARD, ADJACENT TO THE MAIN CABLE PORT, TO ACCOMMODATE AN ARRESTER LEAD.

MATERIAL PROPERTIES

GUARD BODY-UV STABILIZED HIGH DIELECTRIC POLYPROPYLENE COPOLYMER
 PUNCTURE STRENGTH-30 KV MINIMUM
 DIELECTRIC STRENGTH-22 KV/MM
 HANDWHEEL-UV STABILIZED, GLASS FILLED, ENGINEERING GRADE
 THERMOPLASTIC POLYESTER

NOTE: DIMENSIONS ARE IN INCHES AND ARE FOR REFERENCE ONLY.



DESCRIPTION

HANDWHEEL TYPE WILDLIFE GUARDS

DRWN BY:

R.O.



Central Moloney, Inc.
 Components Operation

DATE

8/21/08

5300 Jefferson Parkway--Phone (870) 247-5300--Pine Bluff, Arkansas 71602

NO. CDS 38 005

REV. DATE