

SHEDMOUNT GUARD

PART NUMBER	DESCRIPTION
70380467	LIGHT GRAY (9" HEIGHT)

MINI-SHEDMOUNT GUARD

PART NUMBER	DESCRIPTION
70380340	LIGHT GRAY (5.5" HEIGHT)

FEATURES

- * SECURE LATCHES WHICH CAN BE EASILY UNLATCHED WHEN NEEDED.
- * THICK WALL CONSTRUCTION FOR RIGIDITY.
- * PREMIUM GRADE WEATHER RESISTANT POLYPROPYLENE COPOLYMER MATERIAL.
- * LARGE CABLE PORTS FOR INSULATED CABLE.
- * FLEXIBLE FINGERS AT THE CABLE ENTRANCES AND MOUNTING THROAT PERMIT EASY INSTALLATION.

INSTALLATION INSTRUCTIONS

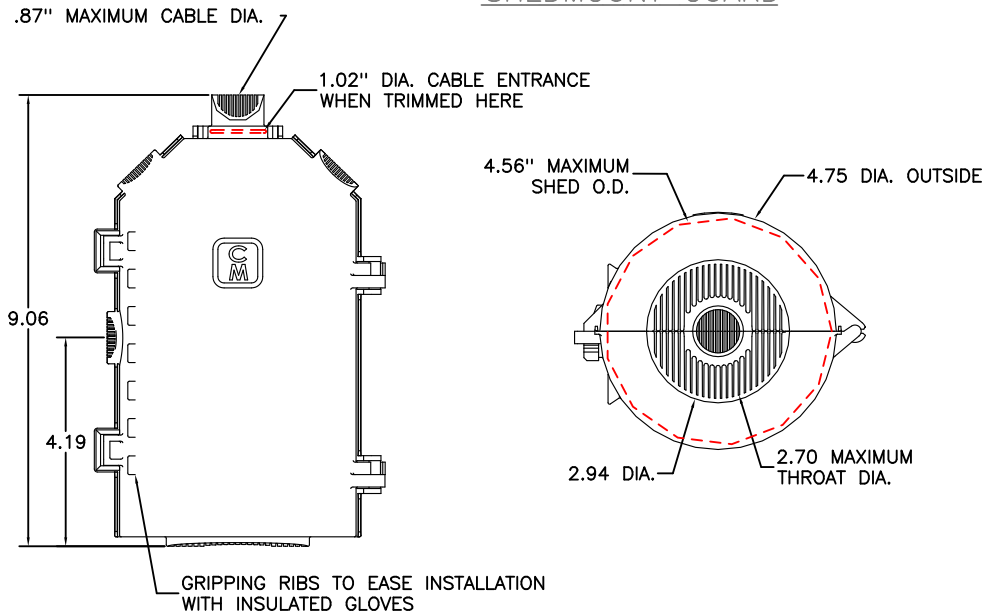
- * CM SHEDMOUNT STYLE GUARDS ARE DESIGNED FOR INSTALLATION ON DISTRIBUTION CLASS HV BUSHINGS AND ARRESTERS, UP TO 35 KV CLASS (21.1 KV LINE TO GROUND). THE GUARD IS TO BE INSTALLED ONLY OVER THE TOP SHED OF THE INSULATOR.
- * IN THE OPEN POSITION, THE GUARD IS INSTALLED AROUND THE INSULATOR AND IS SQUEEZED SHUT UNTIL THE LATCHES ENGAGE. NORMAL INSTALLATION IS ON DEENERGIZED EQUIPMENT, BUT GUARDS CAN BE INSTALLED ON ENERGIZED EQUIPMENT USING PROPER LIVE LINE HANDLING EQUIPMENT AND PROCEDURES.
- * INSTALLATION NOTE ALSO INCLUDED ON INSIDE LEFT SECTION OF SHEDMOUNT GUARD

MATERIAL PROPERTIES

- * UV STABILIZED
- * DIELECTRIC STRENGTH-22KV/MM
- * MINIMUM INSTALLATION TEMPERATURE (-30°C)

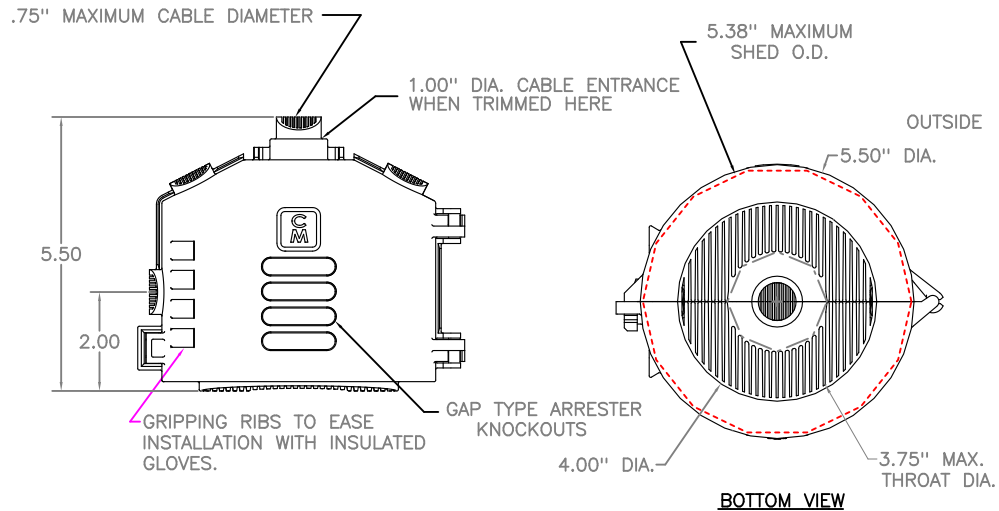
NOTE: DIMENSIONS ARE IN INCHES AND ARE FOR REFERENCE ONLY.

SHEDMOUNT GUARD



STANDARD BOX COUNT 100

MINI-SHEDMOUNT GUARD



STANDARD BOX COUNT 100

SHEDMOUNT WILDLIFE GUARDS

DRWN BY:	B.M.	 Central Moloney, Inc. Components Operation 5500 Jefferson Parkway—Phone (870) 247-5320—Pine Bluff, Arkansas 71602	
DATE	5/21/02		
NO.	CDS 38 002	REV. DATE	10 3/29/11

PART NO.	DETAIL	"A"	UNIQUE FEATURES
70380307	"A"	1.91"	
70380308	"A"	1.91"	W/HANDWHEEL
70380309	"A"	1.47"	
70380310	"A"	1.60"	
70380311	"A"	1.47"	W/HANDWHEEL
70380312	"A"	1.60"	W/HANDWHEEL
70380320	"A"	1.47"	MEMBRANE REMOVED
70380321	"A"	1.47"	MEMBRANE REMOVED, W/HANDWHEEL
70380322	"A"	1.69"	MEMBRANE REMOVED, NO HANDWHEEL HOLE
70380325	"A"	1.41"/1.91"	VARIABLE HEIGHT HAND WHEEL SLOT *
70380326	"A"	1.41"/1.91"	VARIABLE HEIGHT SLOT W/HANDWHEEL *
70380327	"A"	.91"/1.41"	.50" CUT OFF LENGTH OF BODY VARIABLE HEIGHT HAND WHEEL SLOT *
70380328	"A"	.91"/1.41"	VARIABLE HEIGHT SLOT W/HANDWHEEL *
70380329	"A"	1.91"	MEMBRANE REMOVED
70380334	"A"	.54"/1.04"	.875" CUT OFF LENGTH OF BODY VARIABLE HEIGHT HAND WHEEL SLOT *
70380335	"A"	.54"/1.04"	VARIABLE HEIGHT SLOT W/HANDWHEEL *
70380336	"A"	1.91"	MEMBRANE REMOVED, W/HANDWHEEL
70380319	"B"		.50" CUT OFF LENGTH OF BODY
70380369	"B"		W/SLOT IN LEFT HALF OF SHELL
70380374	"B"		70380369 W/INSULATING TUBE (12.25")
70380377	"B"		
70380393	"B"		W/SLOT IN RIGHT HALF OF SHELL
70380397	"B"		W/SLOT IN EACH HALF OF SHELL
70380399	"B"		GUARD FOLDED AND LATCHED
70380361	"B"		70380377 W/INSULATING TUBE (12.25")
70380380	"C"		
70380381	"C"		70380380 W/INSULATING TUBE (12.25")

FEATURES

SEVERAL STYLES TO ACCOMMODATE MOST HV TERMINAL CONFIGURATIONS.

—DETAIL A,B&C—

PREMIUM GRADE, WEATHER RESISTANT, POLYPROPYLENE COPOLYMER LIGHT GRAY IN COLOR. (EXCEPT WHERE NOTED)

MATERIAL PROPERTIES

UV STABILIZED

DIELECTRIC STRENGTH—22 KV/MM

MINIMUM INSTALLATION TEMPERATURE— 30° C

—DETAIL D—

PLIABLE, UV INHIBITED POLYVINYL CHLORIDE. (LIGHT GRAY IN COLOR)

MATERIAL PROPERTIES

UV STABILIZED

PUNCTURE STRENGTH>30 KV

INSULATING TUBE OPTIONS:

(A) 31101456 — 9.38" LONG (W/SHOULDER ON ONE END OF TUBE)

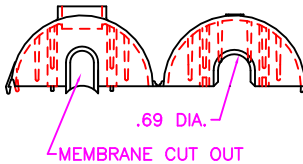
(B) 70380324—(AVAILABLE PER FOOT)

NOTE: DIMENSIONS ARE IN INCHES AND ARE FOR REFERENCE ONLY.

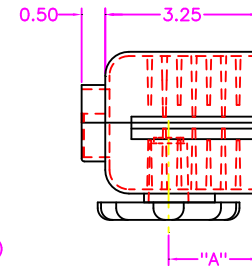
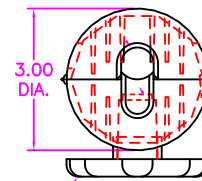
DESCRIPTION

BUSHING MOUNTED WILDLIFE GUARDS

HANDWHEEL GUARD



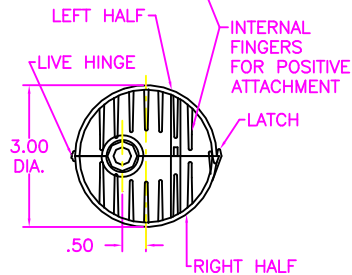
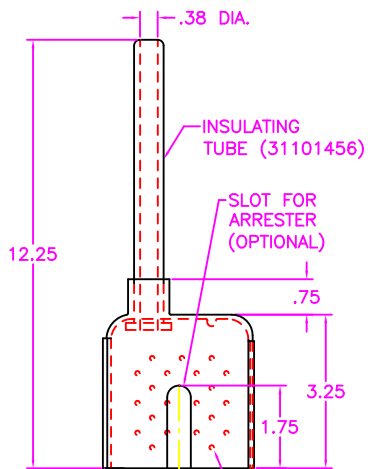
NOTE: "A" DIMENSION IS AVAILABLE IN 1.47", 1.60", 1.69", AND 1.91" HEIGHTS FOR DESIRED FIT ON BUSHING.



* NOTE: "A" DIMENSION IS AVAILABLE IN .54"/1.04", .91"/1.41" AND 1.41"/1.91" VARIABLE HEIGHTS FOR UNIVERSAL FIT ON BUSHING.

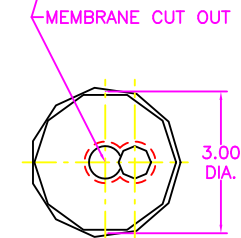
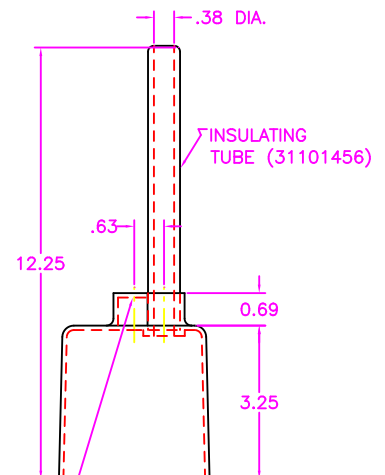
DETAIL "A"

HINGED UNIVERSAL GUARD



DETAIL "B"

NON-HINGED GUARD



DETAIL "C"

DRWN BY: B.M.



Central Moloney, Inc.
Components Operation

DATE: 5/21/02

NO. CDS 38 002

REV. DATE: 10/3/29/11

5500 Jefferson Parkway—Phone (870) 247-5320—Pine Bluff, Arkansas 71602

JAG II GUARD

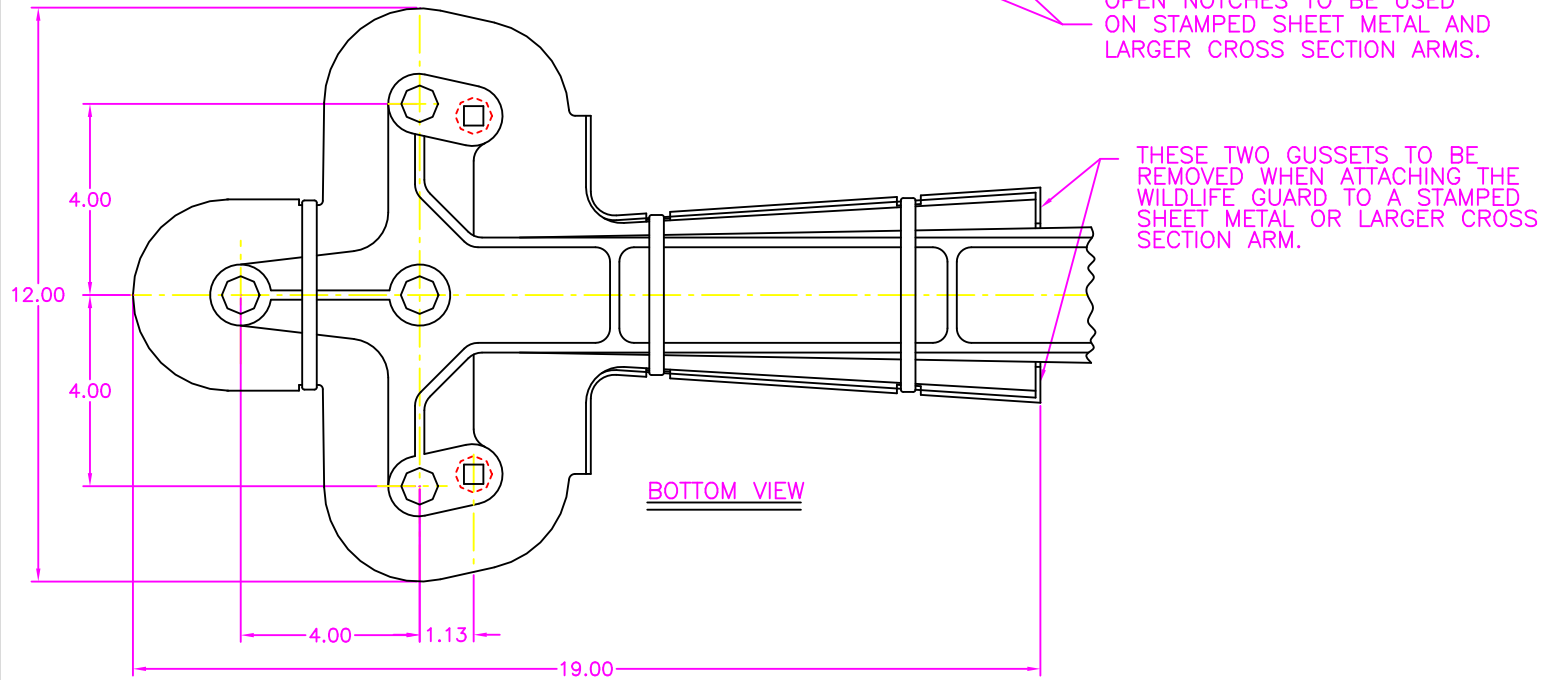
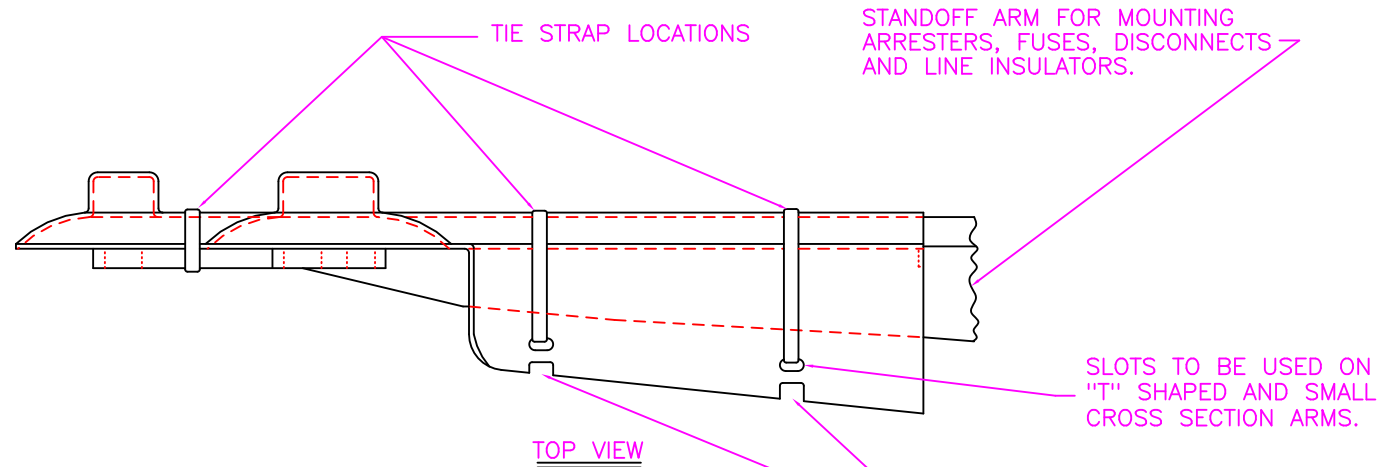
PART NUMBER	UNIQUE FEATURES
70380392	
70380398	INCLUDES 3 MOUNTING TIE STRAPS (NON-METALIC)

FEATURES

- * PREVENTS WILDLIFE OUTAGES
- * DESIGNED TO FIT MANY OF THE MOST COMMON EQUIPMENT MOUNTING BRACKETS.
- * EASY INSTALLATION
- * LONG LASTING WEATHER RESISTANT ABS PLASTIC. (COLOR GRAY)
- * LOW COST PROTECTION.

MATERIAL PROPERTIES

- * PUNCTURE STRENGTH 30 KV MINIMUM.
- * PROVIDES PROTECTION FOR SYSTEMS RATED UP TO 20 KV (35 KV CLASS).
- * UV STABILIZED



EQUIPMENT MOUNTING BRACKET WILDLIFE PROTECTOR

NOTE: DIMENSIONS ARE IN INCHES AND ARE FOR REFERENCE ONLY.

JAG II WILDLIFE GUARD

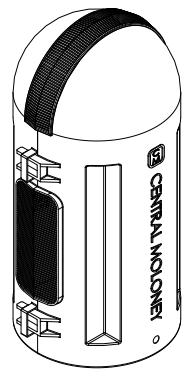
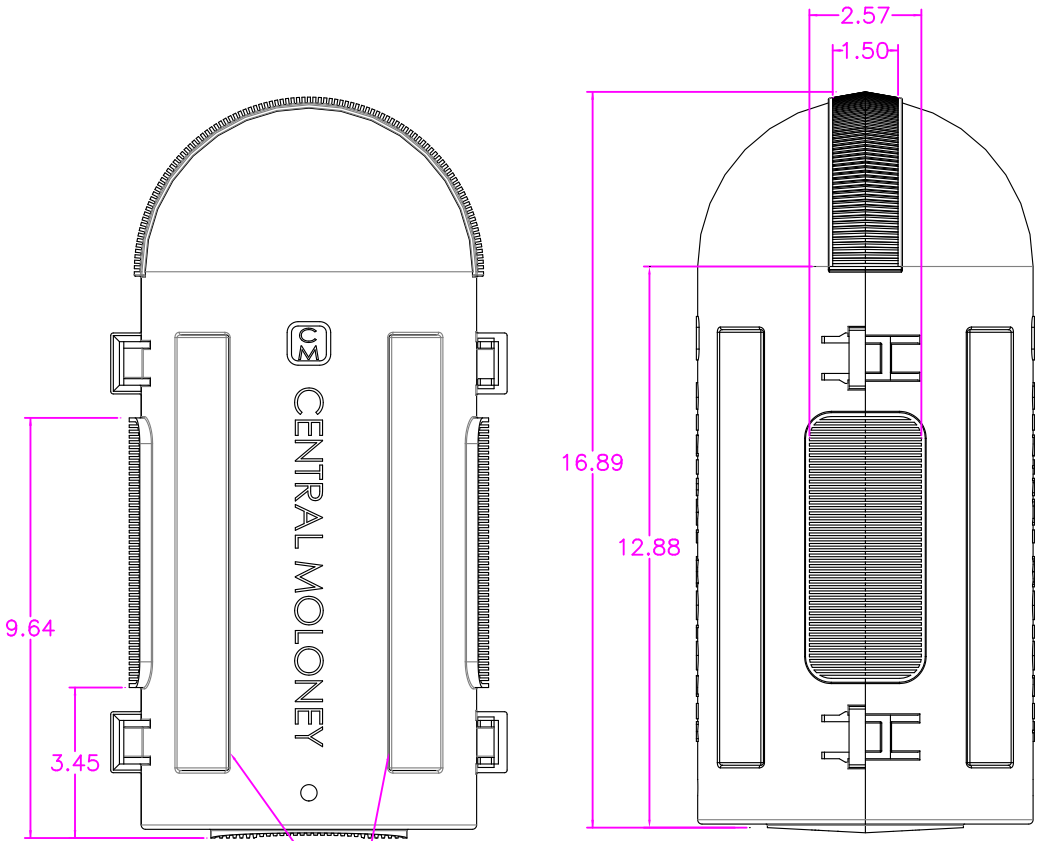
DRWN BY: B.M.	 Central Moloney, Inc. Components Operation <small>5500 Jefferson Parkway—Phone (870) 247-8320—Pine Bluff, Arkansas 71602</small>
DATE 5/21/02	
NO. CDS 38 002	REV. DATE 10 3/29/11

MEGA GUARD	
PART NUMBER	DESCRIPTION
70380460	MEGA GUARD—LIGHT GRAY (16.8" HEIGHT)

- FEATURES**
- SECURE LATCHES WHICH CAN BE EASILY UNLATCHED WHEN NEEDED
 - THICK WALL CONSTRUCTION FOR RIGIDITY
 - PREMIUM GRADE WEATHER RESISTANT POLYPROPYLENE COPOLYMER MATERIAL.
 - LARGE PORTS ON SIDES AND TOP TO ACCOMMODATE A VARIETY OF CONDUCTOR CONFIGURATIONS
 - FLEXIBLE FINGERS AT THE CABLE ENTRANCES PERMIT EASY INSTALLATION.

- INSTALLATION INSTRUCTIONS**
- CM "MEGA" GUARDS ARE DESIGNED FOR INSTALLATION ON DISTRIBUTION CLASS HV BUSHINGS AND ARRESTERS, UP TO 35 KV CLASS (21.1 KV LINE TO GROUND). THE GUARD IS TO BE INSTALLED ONLY OVER THE TOP SHED OF THE INSULATOR
 - WITH GUARD HALVES IN HAND, THE GUARD IS INSTALLED AROUND THE INSULATOR AND IS SQUEEZED SHUT UNTIL THE LATCHES ENGAGE. NORMAL INSTALLATION IS ON DEENERGIZED EQUIPMENT, BUT GUARDS CAN BE INSTALLED ON ENERGIZED EQUIPMENT USING PROPER LIVE LINE HANDLING EQUIPMENT AND PROCEDURES
 - INSTALLATION NOTE ALSO INCLUDED ON INSIDE OF GUARD

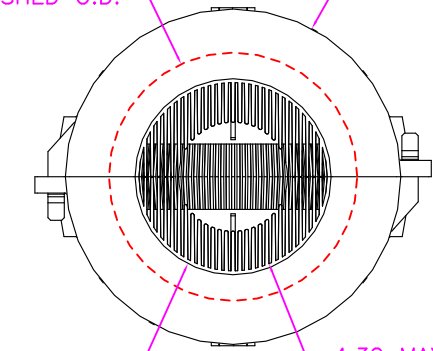
- MATERIAL PROPERTIES**
- UV STABILIZED
 - DIELECTRIC STRENGTH—22KV/MM
 - MINIMUM INSTALLATION TEMP (-25°C)



GRIPPING CUTOUTS TO EASE INSTALLATION

5.70" MAXIMUM SHED O.D.

7.70" DIA. OUTSIDE



4.50 DIA.

4.32 MAXIMUM THROAT DIA.

DESCRIPTION
"MEGA" WILDLIFE GUARD

DRWN BY G.S.	 Central Moloney, Inc. Components Operation <small>8500 Jefferson Parkway—Phone (870) 247-8320—P.O. Box Bluff, Arkansas 71602</small>
DATE 12/28/10	
NO. CDS 38 002	REV. DATE 10 3/29/11