

CUSTOMER DATA SHEET

200 AMP TEST BUSHING

GENERAL INFORMATION

PART NUMBER	BUSHING STYLE	TERMINAL DETAIL NO.	CONDUCTOR MATERIAL	"A" DIMENSION	"B" DIMENSION	KV B.I.L.
70371151	1	1	STEEL	14.75	2.00	125
70371251	1	1	COPPER	14.75	2.00	125
70371253	1	2	COPPER	14.75	2.00	125
70371155	1	3	STEEL	10.38	————	95
70371250	1	3	STEEL	14.75	————	125
70371252	1	3	COPPER	14.75	————	125
70371281	1	4	STEEL	14.75	2.00	125
70371280	2	1	STEEL	14.75	2.00	150
70371278	2	2	COPPER	14.75	2.00	150
70371275	2	3	STEEL	14.75	————	150
70371277	2	3	COPPER	14.75	————	150
70371276	2	4	COPPER	14.75	2.00	150
70371282	2	4	STEEL	14.75	2.00	150
70371254	3	————	STEEL	7.00	————	150

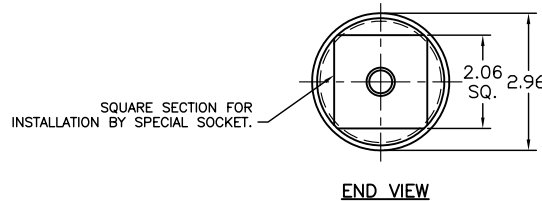
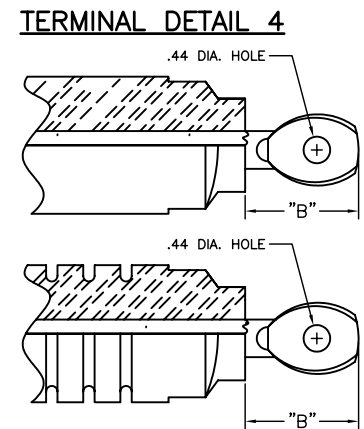
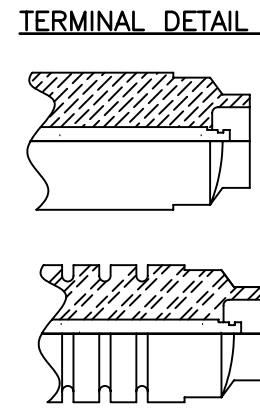
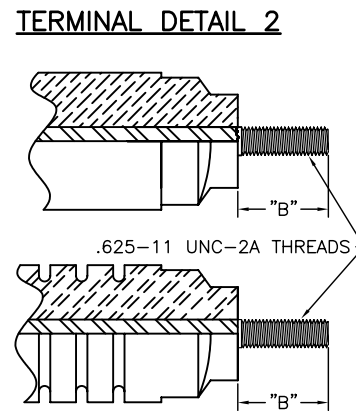
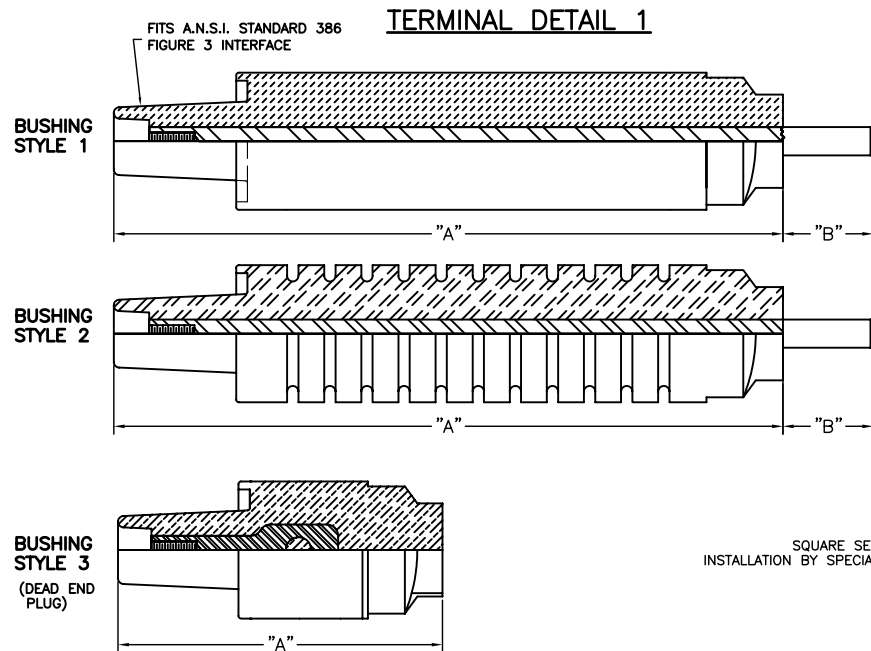
MATERIALS:

BODY – ELASTOMERIC MATERIAL (WHITE)

ELECTRICAL RATINGS:

KV BIL	AC (60 HZ)
95	34
125	40
150	50

NOTE: THESE TEST BUSHINGS ARE DESIGNED FOR INDOOR PRODUCTION LINE TESTING ONLY, NO OUTDOOR OR PERMANENT INSTALLATION. NOT SUITABLE FOR PARTIAL DISCHARGE (CORONA) TESTING. BUSHINGS MUST BE KEPT CLEAN TO PREVENT INTERFACE AND SURFACE FLASHOVER. USE SILICONE DIELECTRIC GREASE ON INTERFACE. INSTALLATION TORQUE 180 IN.-LBS. MAX..



NOTE: DIMENSIONS ARE IN INCHES AND ARE FOR REFERENCE ONLY.

DESCRIPTION TEST BUSHINGS (70370020)

DRWN BY: B.M.	Central Moloney, Inc. Components Operation	DATE 4/11/02	NO. CDS 37 001 REV. 4 REV. DATE 5/18/04
5500 Jefferson Parkway—Phone (870) 247-5320—Pine Bluff, Arkansas 71602			

600 AMP TEST BUSHING

PART NUMBER	BUSHING STYLE	TERMINAL DETAIL NO.	CONDUCTOR MATERIAL	"A" DIMENSION	"B" DIMENSION	KV B.I.L.	ANSI 386 INTERFACE (KV)
70372153	1	1	COPPER	16.13	1.75	125	8.3 & 15.2
70372152	1	2	STEEL	16.13	—	125	8.3 & 15.2
70372154	1	3	COPPER	16.13	2.38	125	8.3 & 15.2
70372155	3	2	STEEL	16.13	—	125	8.3 & 15.2
70372157	2	1	STEEL	16.13	1.75	125	8.3 & 15.2
70372171	4	3	COPPER	16.13	2.50	125	8.3 & 15.2
70372176	2	2	STEEL	16.13	—	125	8.3 & 15.2
70372177	2	1	COPPER	16.13	1.75	150	8.3 & 15.2
70372179	4	2	STEEL	16.13	—	125	8.3 & 15.2
70372251	2	3	STEEL	16.13	2.38	150	21.1
70372252	2	SEE NOTE *	STEEL	16.13	2.38	150	21.1
70372271	4	3	COPPER	16.13	2.50	150	21.1
70372277	2	2	STEEL	16.13	—	150	21.1
70372278	2	3	COPPER	16.13	2.38	150	21.1
70372291	2	3	COPPER	18.59	2.38	200	21.1
70372293	2	3	COPPER	18.59	2.38	200	8.3 & 15.2
70372295	2	1	COPPER	18.59	1.75	200	21.1
70372297	4	3	STEEL	18.59	2.38	200	15.2

GENERAL INFORMATION

MATERIALS:

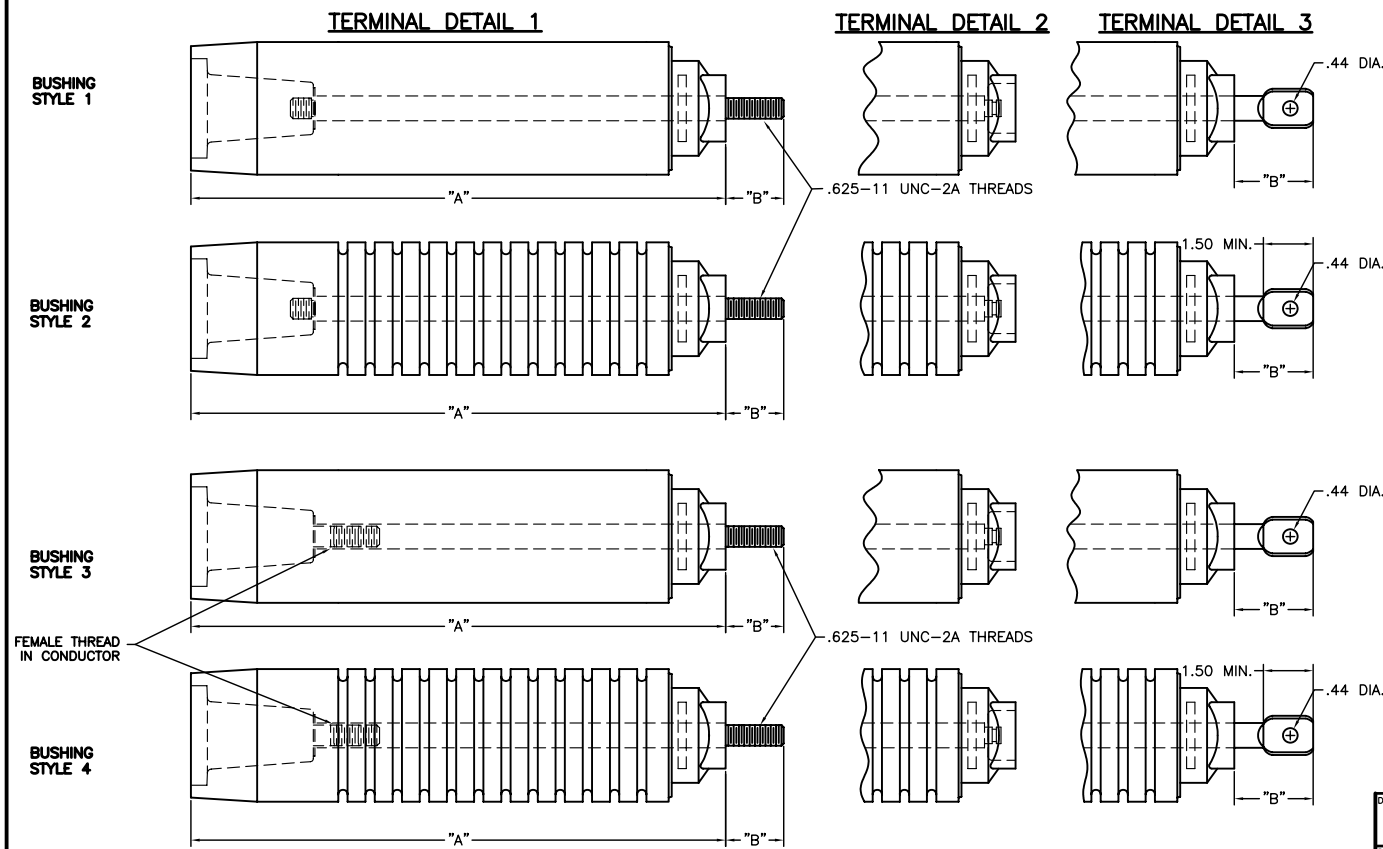
BODY — ELASTOMERIC MATERIAL (WHITE)

ELECTRICAL RATINGS:

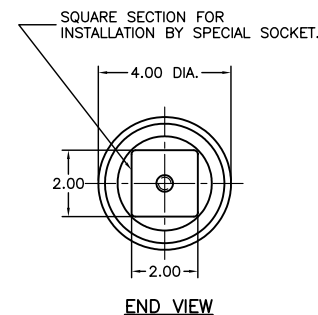
KV BIL	AC (60 HZ)
95	34
125	40
150	50
200	50

NOTE:

THESE TEST BUSHINGS ARE DESIGNED FOR INDOOR PRODUCTION LINE TESTING ONLY, NO OUTDOOR OR PERMANENT INSTALLATION. NOT SUITABLE FOR PARTIAL DISCHARGE (CORONA) TESTING. BUSHINGS MUST BE KEPT CLEAN TO PREVENT INTERFACE AND SURFACE FLASHOVER. **USE SILICONE DIELECTRIC GREASE ON INTERFACE. INSTALLATION TORQUE 180 IN.-LBS. MAX.**



***NOTE SPECIAL: SIMILAR TO TERMINAL DETAIL 1 BUT WITHOUT THREADS.**



NOTE: DIMENSIONS ARE IN INCHES AND ARE FOR REFERENCE ONLY.

DESCRIPTION **TEST BUSHINGS (70370020)**

DRWN BY: B.M.		Central Moloney, Inc.	
DATE: 4/12/02		Components Operation	
	5500 Jefferson Parkway—Phone (870) 247-5320—Pine Bluff, Arkansas 71602		
	NO. CDS 37 001	REV. 6	REV. DATE 2/4/08